

**DISCLAIMER**

THIS MAP WAS PREPARED FOR LOCAL PROPERTY ASSESSMENT PURPOSES ONLY. THE PARCELS SHOWN HEREON MAY NOT COMPLY WITH STATE AND LOCAL SUBDIVISION ORDINANCES. NO LIABILITY IS ASSUMED FOR THE USE OF THE INFORMATION HEREON.

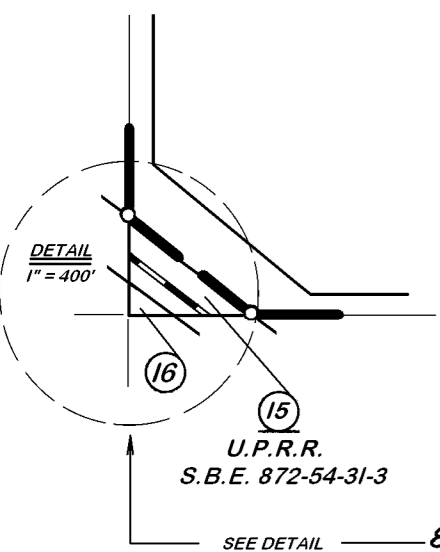
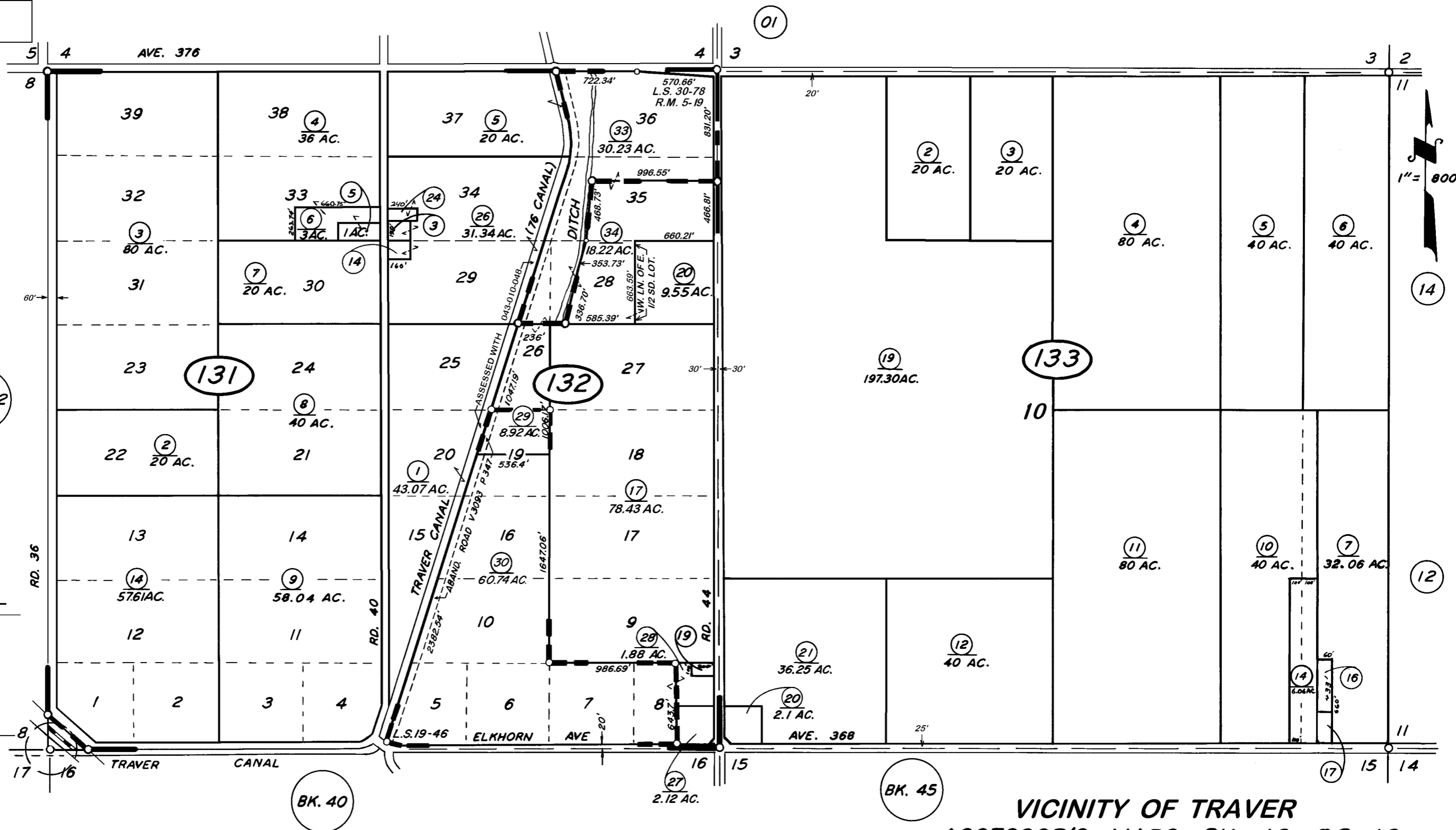
REVISED: 01/07/2013  
REASON: 2012-0060331  
CAD TECH: ASG

SEC. 9 & 10, T.17S., R.23E., M. D. B. & M.

TAX CODE AREA 43-13

148-001

148-009



TRAVER COLONY R.M. 5-19  
RECORD OF SURVEY, L.S. 19-46  
RECORD OF SURVEY, L.S. 30-78

VICINITY OF TRAVER  
ASSESSOR'S MAPS BK. 43, PG. 13.  
COUNTY OF TULARE, CALIF.

NOTE—ASSESSOR'S BLOCK NUMBERS SHOWN IN ELLIPSES  
ASSESSOR'S PARCEL NUMBERS SHOWN IN CIRCLES