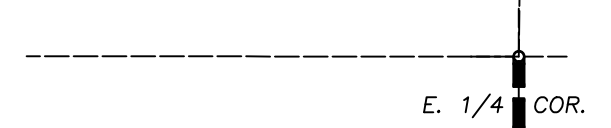
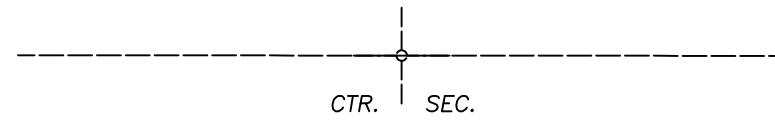
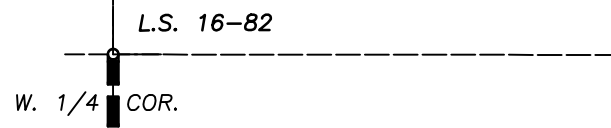
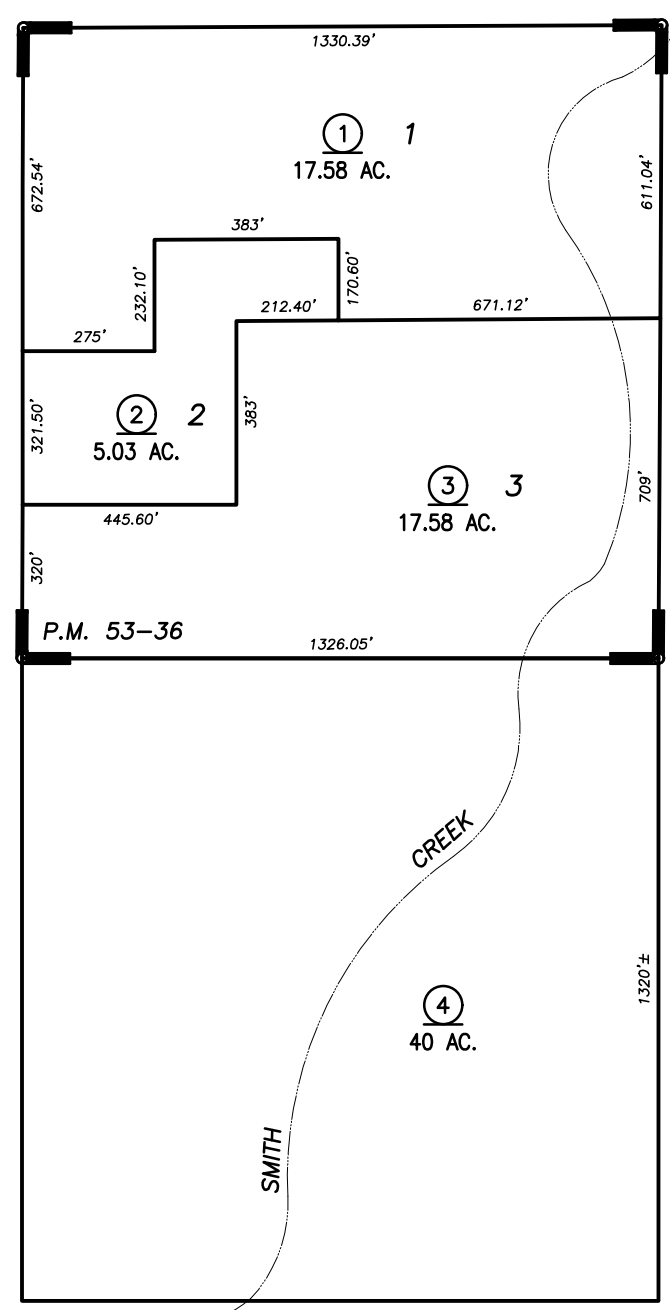
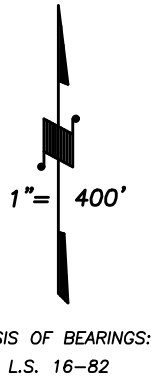
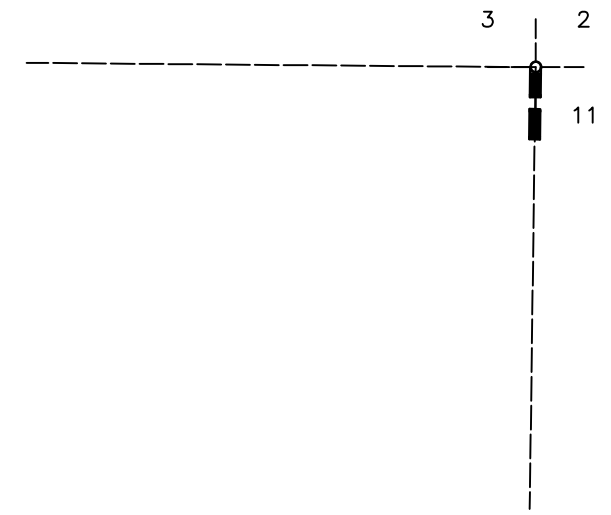
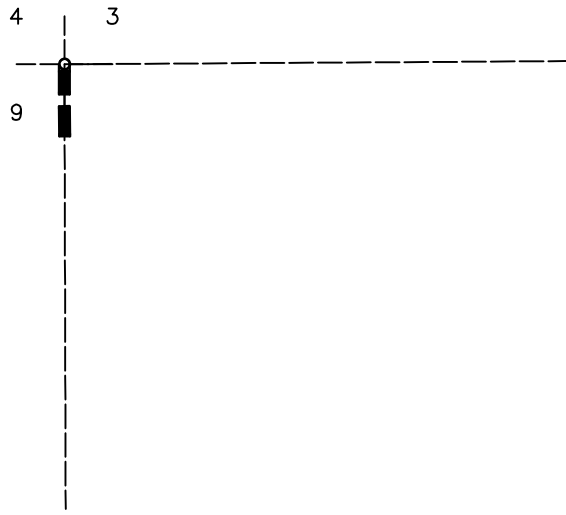


N1/2 SEC. 10, T.21S., R.34E., M.D.B.&M.

Tax Area Codes 223-27
136-005

DISCLAIMER
THIS MAP WAS PREPARED FOR LOCAL PROPERTY ASSESSMENT PURPOSES ONLY AND THE PARCELS SHOWN HEREON MAY NOT COMPLY WITH STATE AND LOCAL SUBDIVISION ORDINANCES, AND NO LIABILITY IS ASSUMED FOR THE USE OF THE INFORMATION SHOWN HEREON. R & T CODE SEC. 327, 408.3, ETC.



RECORD OF SURVEY, L.S. 16-82
PARCEL MAP NO. 5229, P.M. 53-36

ASSESSOR'S MAPS BK. 223 , PG. 27
COUNTY OF TULARE, CALIFORNIA, U.S.A.

NOTE: Assessor's Parcel Numbers Shown in Circles ① ①23
Assessor's Block Numbers Shown in Ellipses ①

FIX VICINITY	5/12/2020	JMM
REVISION	DATE	TECH