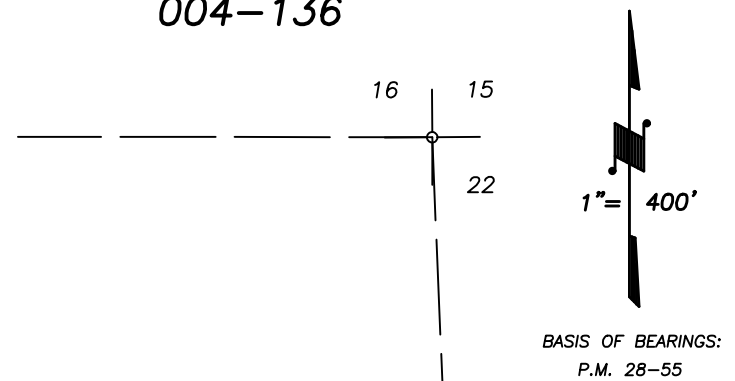
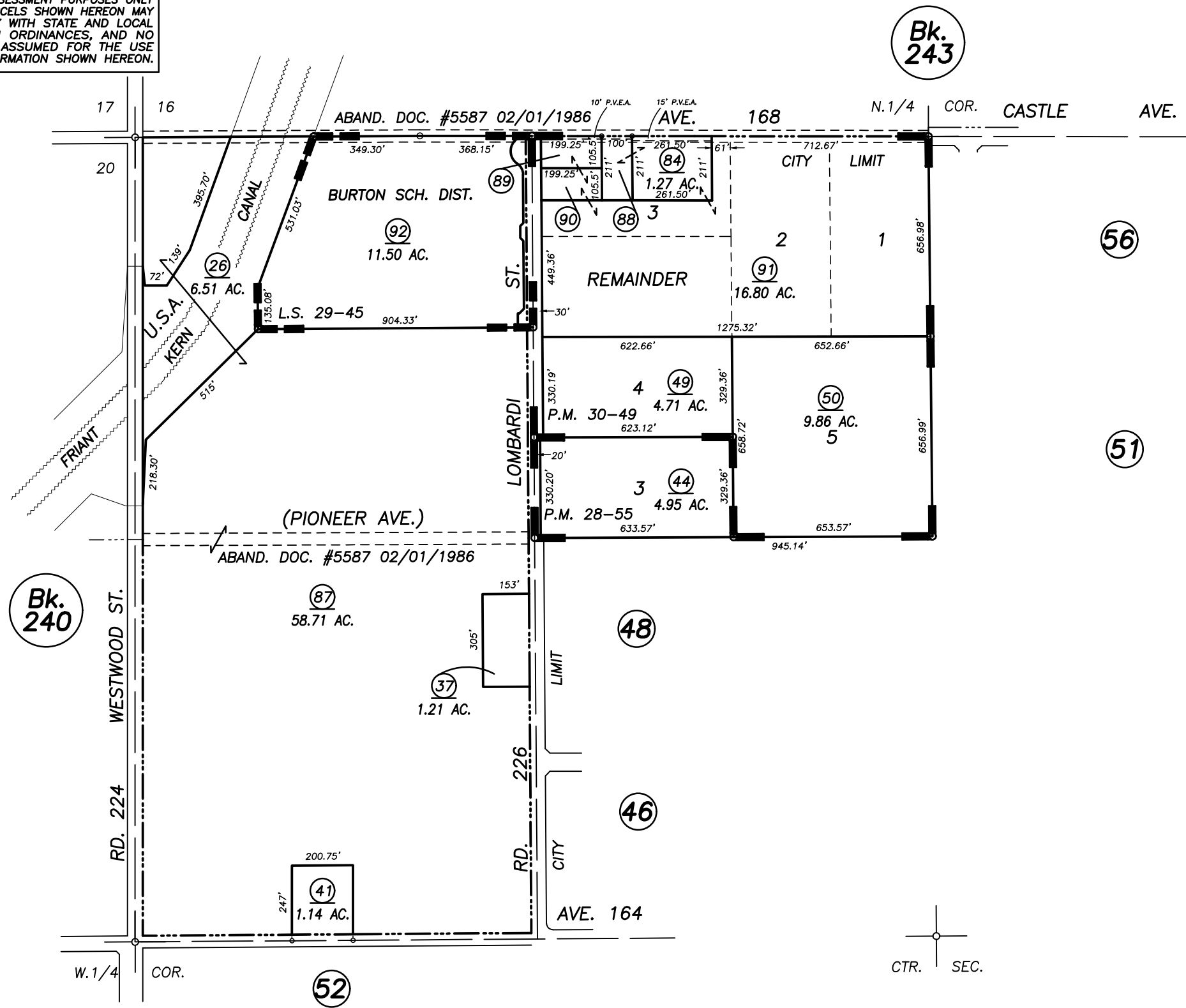


**DISCLAIMER**  
 THIS MAP WAS PREPARED FOR LOCAL PROPERTY ASSESSMENT PURPOSES ONLY AND THE PARCELS SHOWN HEREON MAY NOT COMPLY WITH STATE AND LOCAL SUBDIVISION ORDINANCES, AND NO LIABILITY IS ASSUMED FOR THE USE OF THE INFORMATION SHOWN HEREON.

N1/2 SEC.21, T.21S., R.27E., M.D.B.&M.

Tax Area Code **245-01**  
 004-133  
 061-000  
 004-136



Bk. 240

Bk. 243

PARCEL MAP NO. 2754, P.M. 28-55  
 PARCEL MAP NO. 2948, P.M. 30-49  
 RECORD OF SURVEY, L.S. 29-45

VICINITY OF PORTERVILLE  
 ASSESSOR'S MAPS BK. 245 , PG. 01  
 COUNTY OF TULARE, CALIFORNIA, U.S.A.

NOTE: Assessor's Parcel Numbers Shown in Circles ① 123  
 Assessor's Block Numbers Shown in Elipses

2019-0061811	10/22/2019	NFL
REVISION	DATE	TECH