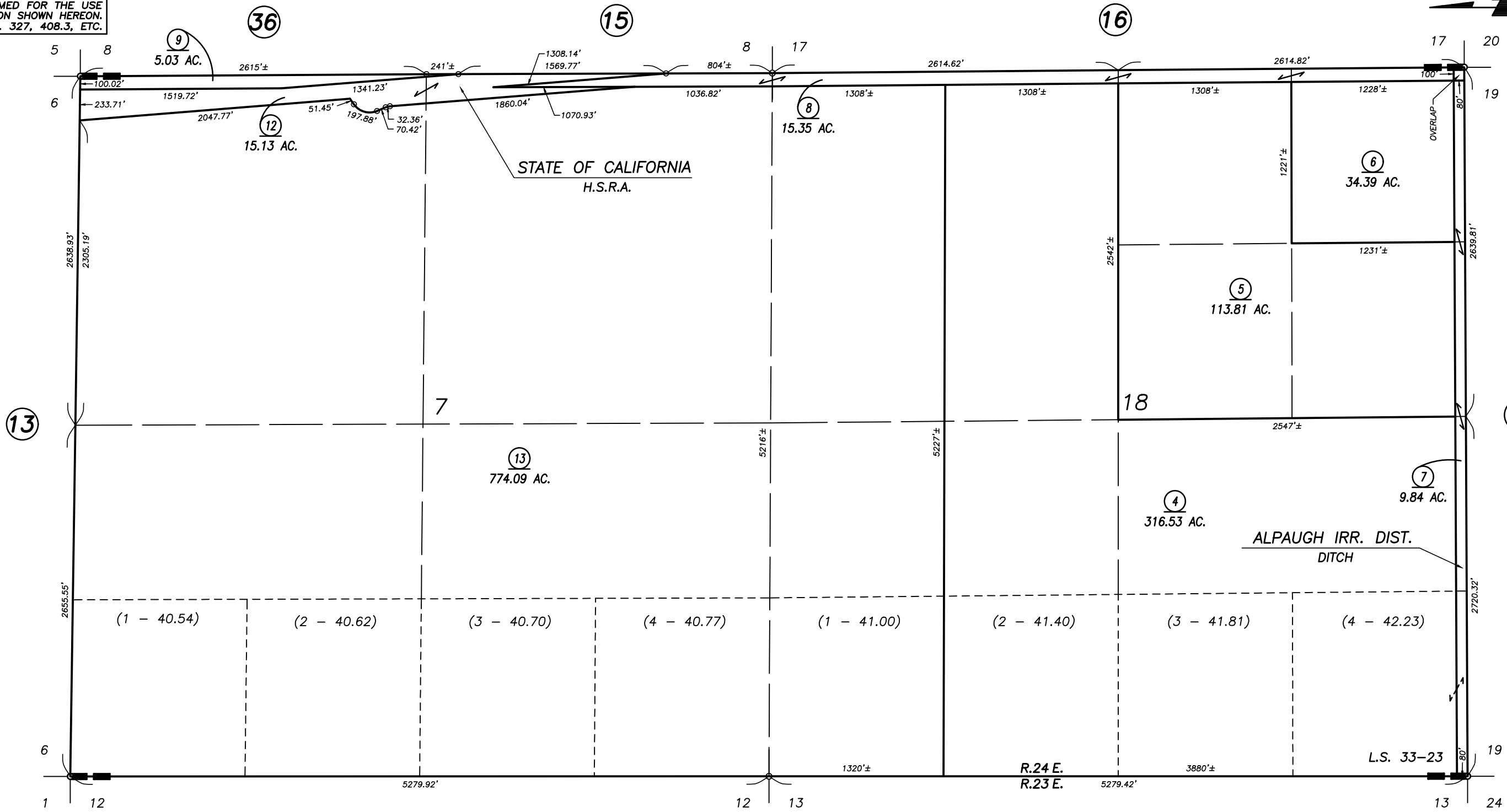
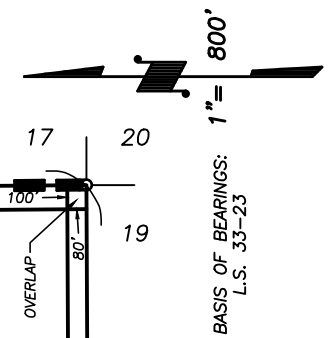


**DISCLAIMER**  
THIS MAP WAS PREPARED FOR LOCAL PROPERTY ASSESSMENT PURPOSES ONLY AND THE PARCELS SHOWN HEREON MAY NOT COMPLY WITH STATE AND LOCAL SUBDIVISION ORDINANCES, AND NO LIABILITY IS ASSUMED FOR THE USE OF THE INFORMATION SHOWN HEREON. R & T CODE SEC. 327, 408.3, ETC.



POR. RECORD OF SURVEY, L.S. 33-23 (SECS. 7 & 18)

**Bk.  
330**

VICINITY OF ALLENSWORTH  
ASSESSOR'S MAPS BK. 333 , PG. 12  
COUNTY OF TULARE, CALIFORNIA, U.S.A.

NOTE: Assessor's Parcel Numbers Shown in Circles (1) (123)  
Assessor's Block Numbers Shown in Ellipses

2017-0050573	11/18/2021	WAC
REVISION	DATE	TECH