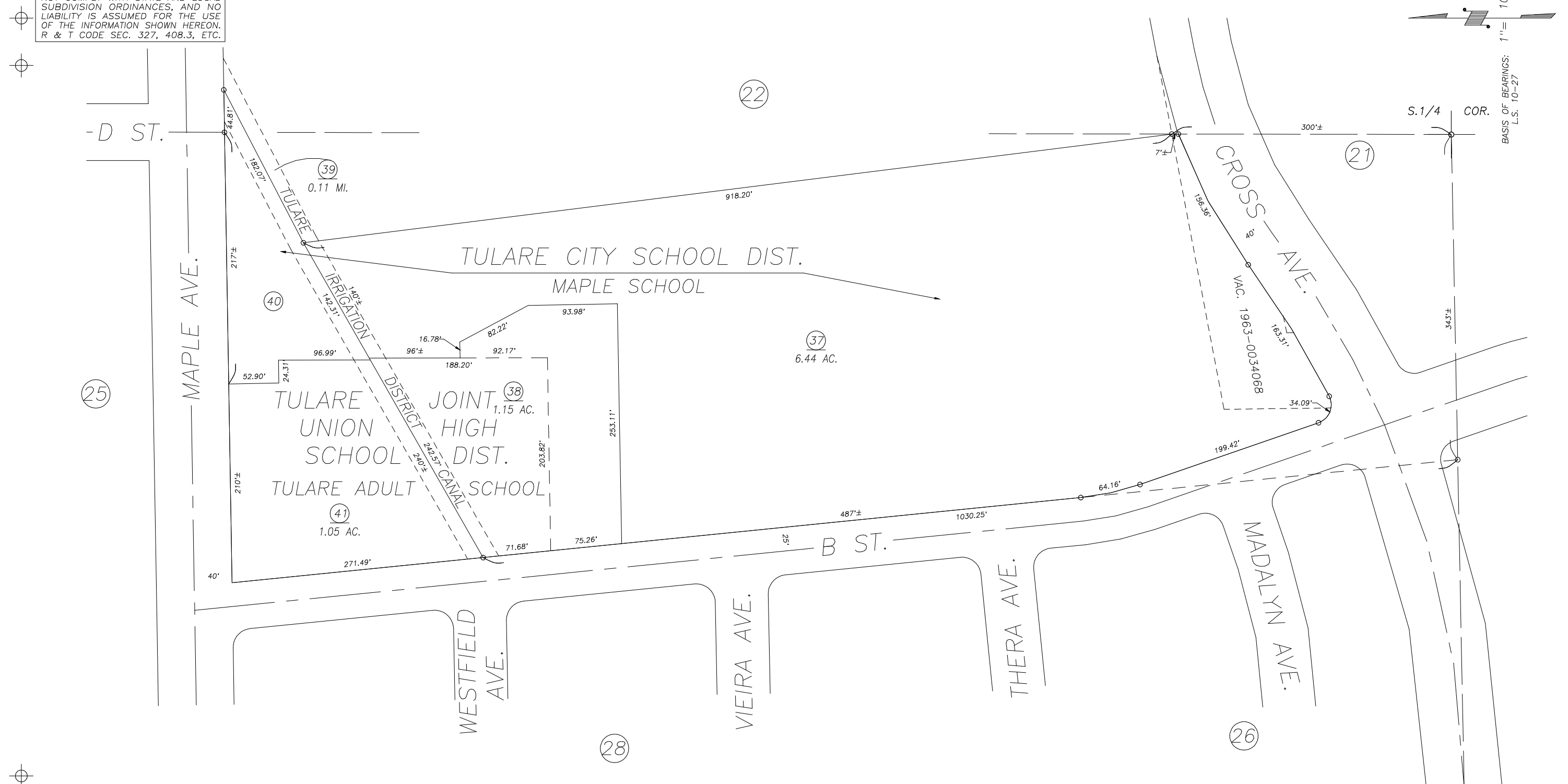
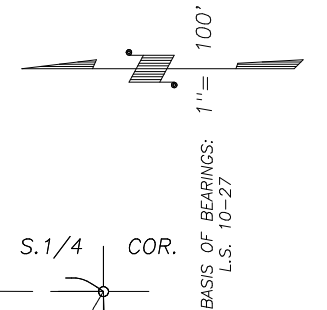


E1/2 OF S1/2 OF SW1/4 SEC.3, T.20S., R.24E., M.D.B.&M.

Tax Area Codes 169-24
005-000

DISCLAIMER
THIS MAP WAS PREPARED FOR LOCAL
PROPERTY ASSESSMENT PURPOSES ONLY
AND THE PARCELS SHOWN HEREON MAY
NOT COMPLY WITH STATE AND LOCAL
SUBDIVISION ORDINANCES, AND NO
LIABILITY IS ASSUMED FOR THE USE
OF THE INFORMATION SHOWN HEREON.
R & T CODE SEC. 327, 408.3, ETC.



POR. RECORD OF SURVEY, L.S. 10-27 (CROSS AVE. & B ST.)

CITY OF TULARE
ASSESSOR'S MAPS BK. 169 , PG. 24
COUNTY OF TULARE, CALIFORNIA, U.S.A.

NOTE: Assessor's Parcel Numbers Shown in Circles ① 123
Assessor's Block Numbers Shown in Ellipses

1995-0047797	04/14/2017	ARL
REVISION	DATE	TECH