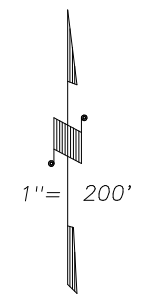
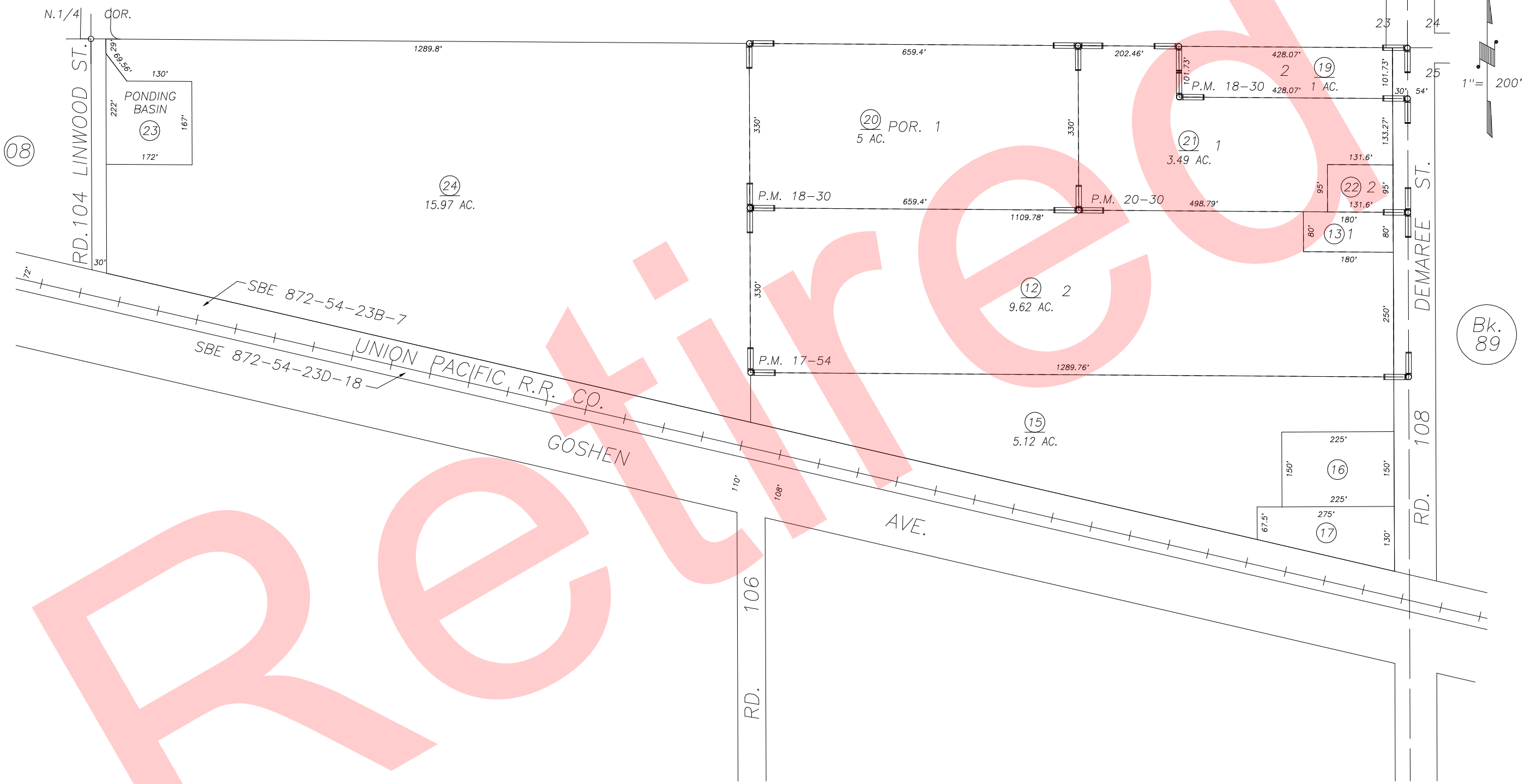


DISCLAIMER
 THIS MAP WAS PREPARED FOR LOCAL PROPERTY ASSESSMENT PURPOSES ONLY AND THE PARCELS SHOWN HEREON MAY NOT COMPLY WITH STATE AND LOCAL SUBDIVISION ORDINANCES, AND NO LIABILITY IS ASSUMED FOR THE USE OF THE INFORMATION SHOWN HEREON.

POR. NE 1/4 SECTION 26, T.18S., R.24E., M.D.B. & M.

Tax Area Code 77-09

6-123
 6-200
 6-215



Bk. 89

Bk. 85

REVISION	DATE	BY
DOC. 99-50623	12/29/99	KPT

PARCEL MAP 1653, P.M. 17-54
 PARCEL MAP 1729, P.M. 18-30
 PARCEL MAP 1929, P.M. 20-30

CITY OF VISALIA
 ASSESSOR'S MAPS BK. 077, PG. 09.
 COUNTY OF TULARE, CALIF.

NOTE: Assessor's Block Numbers Shown in Ellipses
 Assessor's Parcel Numbers Shown in Circles

00/01