

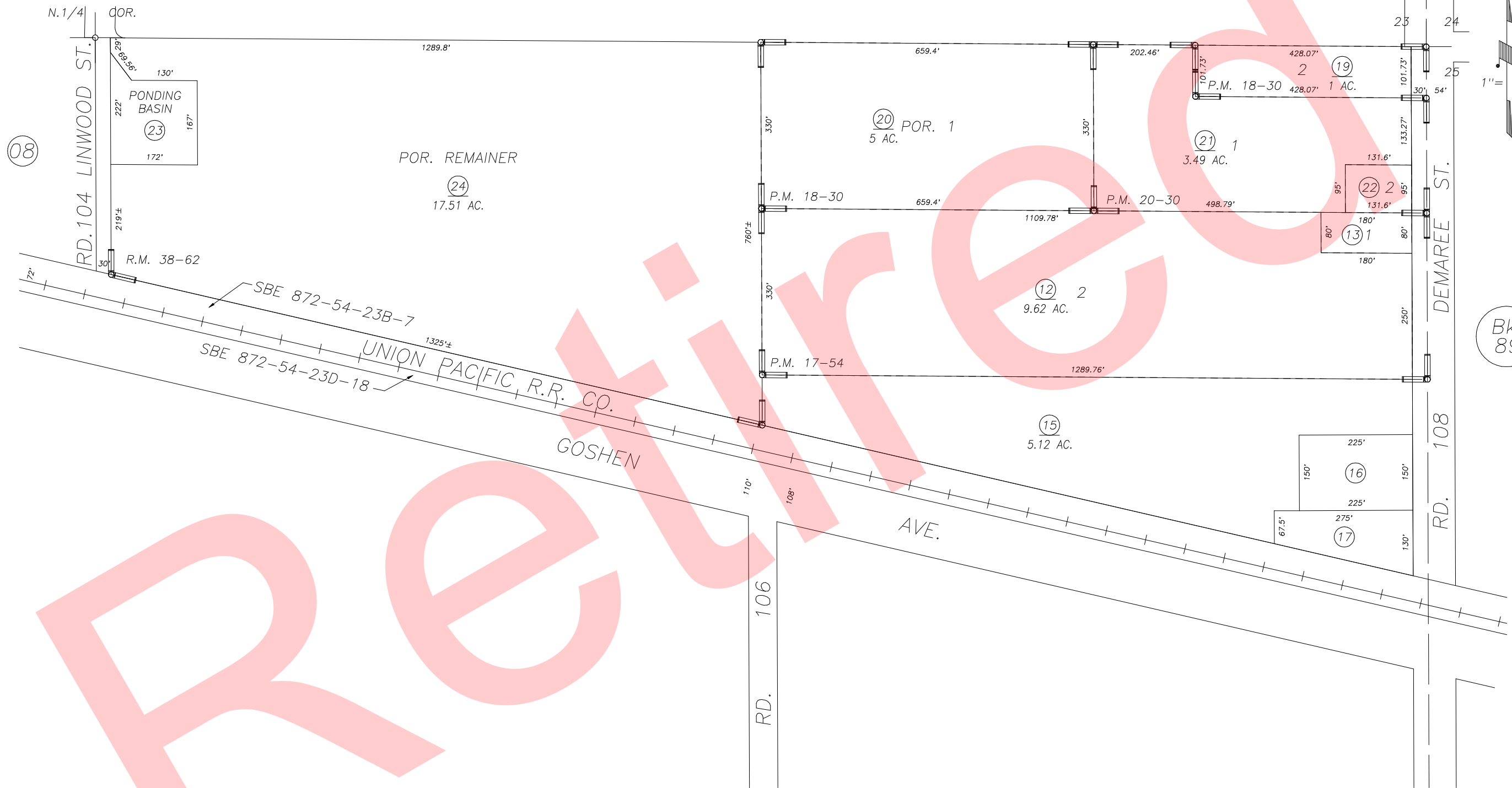
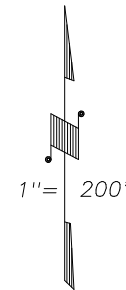
**DISCLAIMER**  
THIS MAP WAS PREPARED FOR LOCAL PROPERTY ASSESSMENT PURPOSES ONLY AND THE PARCELS SHOWN HEREON MAY NOT COMPLY WITH STATE AND LOCAL SUBDIVISION ORDINANCES, AND NO LIABILITY IS ASSUMED FOR THE USE OF THE INFORMATION SHOWN HEREON.

POR. NE 1/4 SECTION 26, T.18S., R.24E., M.D.B. & M.

Tax Area Code 77-09

6-123  
6-200  
6-215

(08)



| REVISION               | DATE | BY |
|------------------------|------|----|
| 2000-001077107/18/2000 | KMS  |    |

PARCEL MAP 1653, P.M. 17-54  
PARCEL MAP 1729, P.M. 18-30  
PARCEL MAP 1929, P.M. 20-30  
THE RANCH, UNIT NO.1, R.M. 38-62

CITY OF VISALIA  
ASSESSOR'S MAPS BK. 077, PG. 09.  
COUNTY OF TULARE, CALIF.

(Bk. 85)

(Bk. 89)

NOTE: Assessor's Block Numbers Shown in Ellipses  
Assessor's Parcel Numbers Shown in Circles