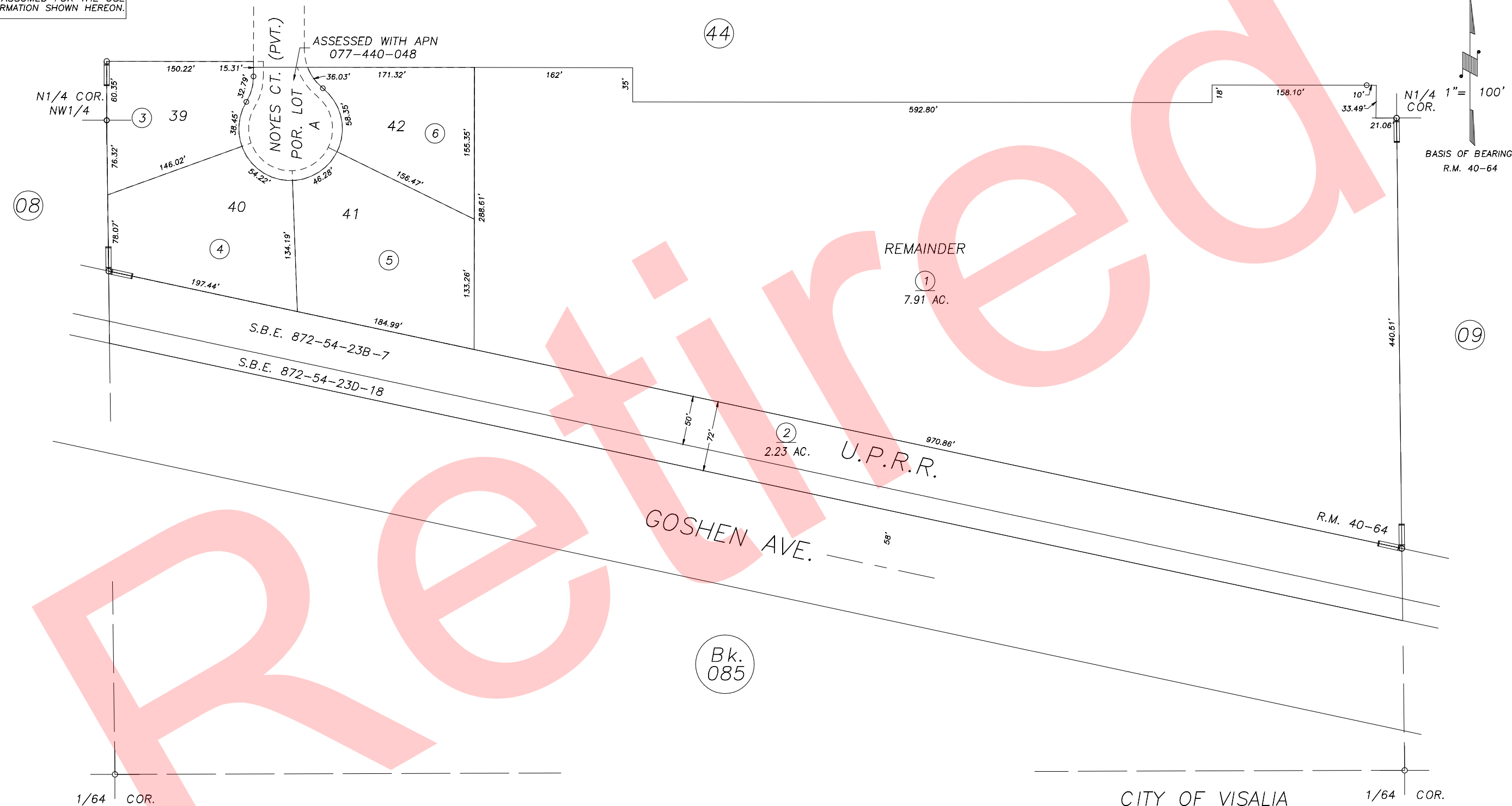


N1/2 OF NE1/4 OF NW1/4 SEC.26, T.18S., R.24E., M.D.B.&M.

Tax Area Codes 077-47  
006-123  
006-215

**DISCLAIMER**  
THIS MAP WAS PREPARED FOR LOCAL PROPERTY ASSESSMENT PURPOSES ONLY AND THE PARCELS SHOWN HEREON MAY NOT COMPLY WITH STATE AND LOCAL SUBDIVISION ORDINANCES, AND NO LIABILITY IS ASSUMED FOR THE USE OF THE INFORMATION SHOWN HEREON.



1/64 COR.  
POR. COBBLESTONE ESTATES II UNIT NO. 2, R.M. 40-64

CITY OF VISALIA  
ASSESSOR'S MAPS BK.077 , PG.47  
COUNTY OF TULARE, CALIFORNIA, U.S.A.

NOTE: Assessor's Parcel Numbers Shown in Circles ① 123  
Assessor's Block Numbers Shown in Elipses (Bk. 085)

2004-0036942	08/11/2004	JAL
REVISION	DATE	TECH