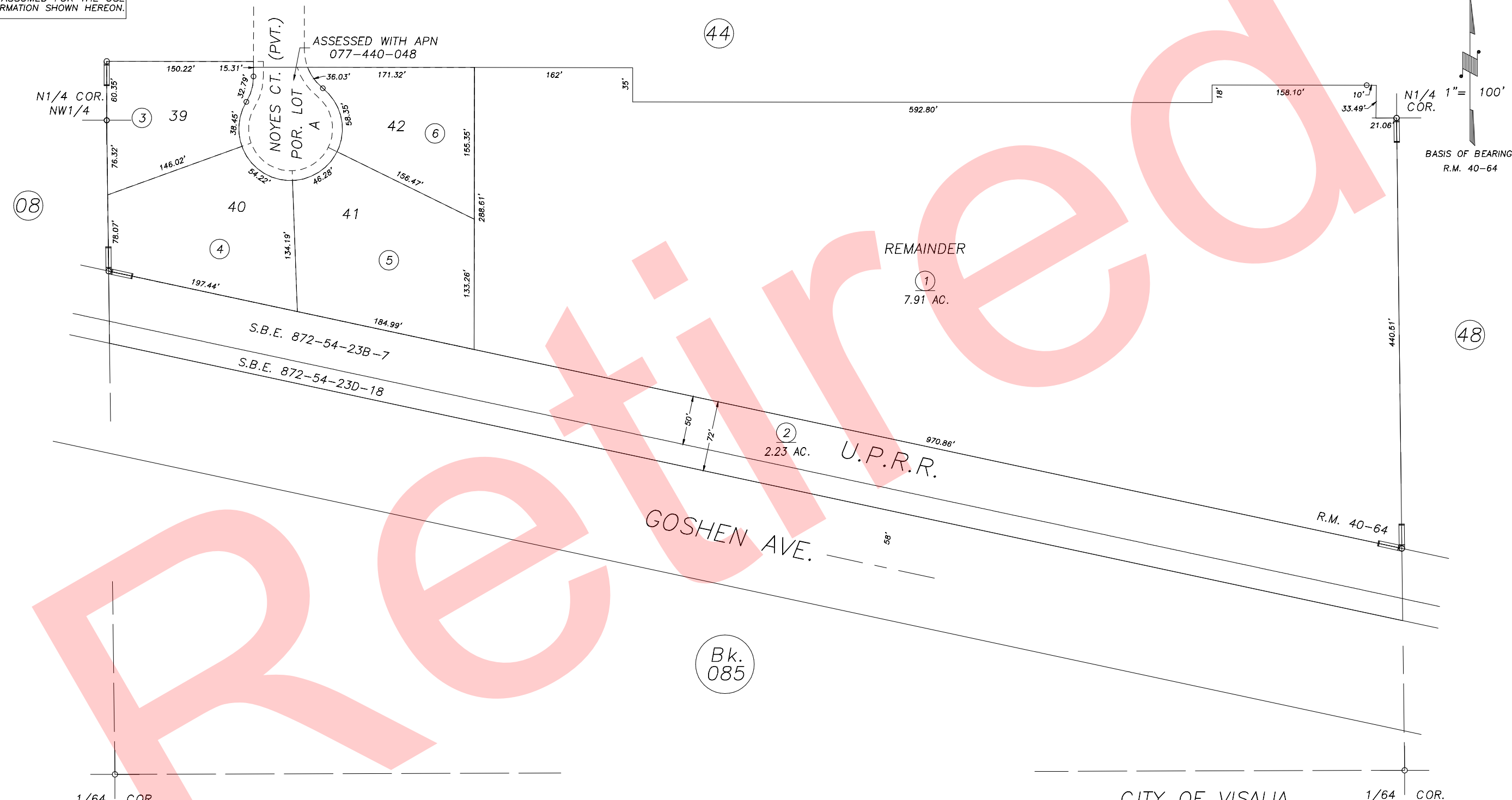


N1/2 OF NE1/4 OF NW1/4 SEC.26, T.18S., R.24E., M.D.B.&M.

Tax Area Codes 077-47
006-123
006-215

DISCLAIMER
THIS MAP WAS PREPARED FOR LOCAL PROPERTY ASSESSMENT PURPOSES ONLY AND THE PARCELS SHOWN HEREON MAY NOT COMPLY WITH STATE AND LOCAL SUBDIVISION ORDINANCES, AND NO LIABILITY IS ASSUMED FOR THE USE OF THE INFORMATION SHOWN HEREON.



POR. COBBLESTONE ESTATES II UNIT NO. 2, R.M. 40-64

CITY OF VISALIA
ASSESSOR'S MAPS BK.077 , PG.47
COUNTY OF TULARE, CALIFORNIA, U.S.A.

NOTE: Assessor's Parcel Numbers Shown in Circles ① 123
Assessor's Block Numbers Shown in Elipses Bk. 085

ADJ. PG. UPDATE 48 09/30/2004	JAL
REVISION	DATE TECH