

N1/2 OF NE1/4 OF NW1/4 SEC.26, T.18S., R.24E., M.D.B.&M.

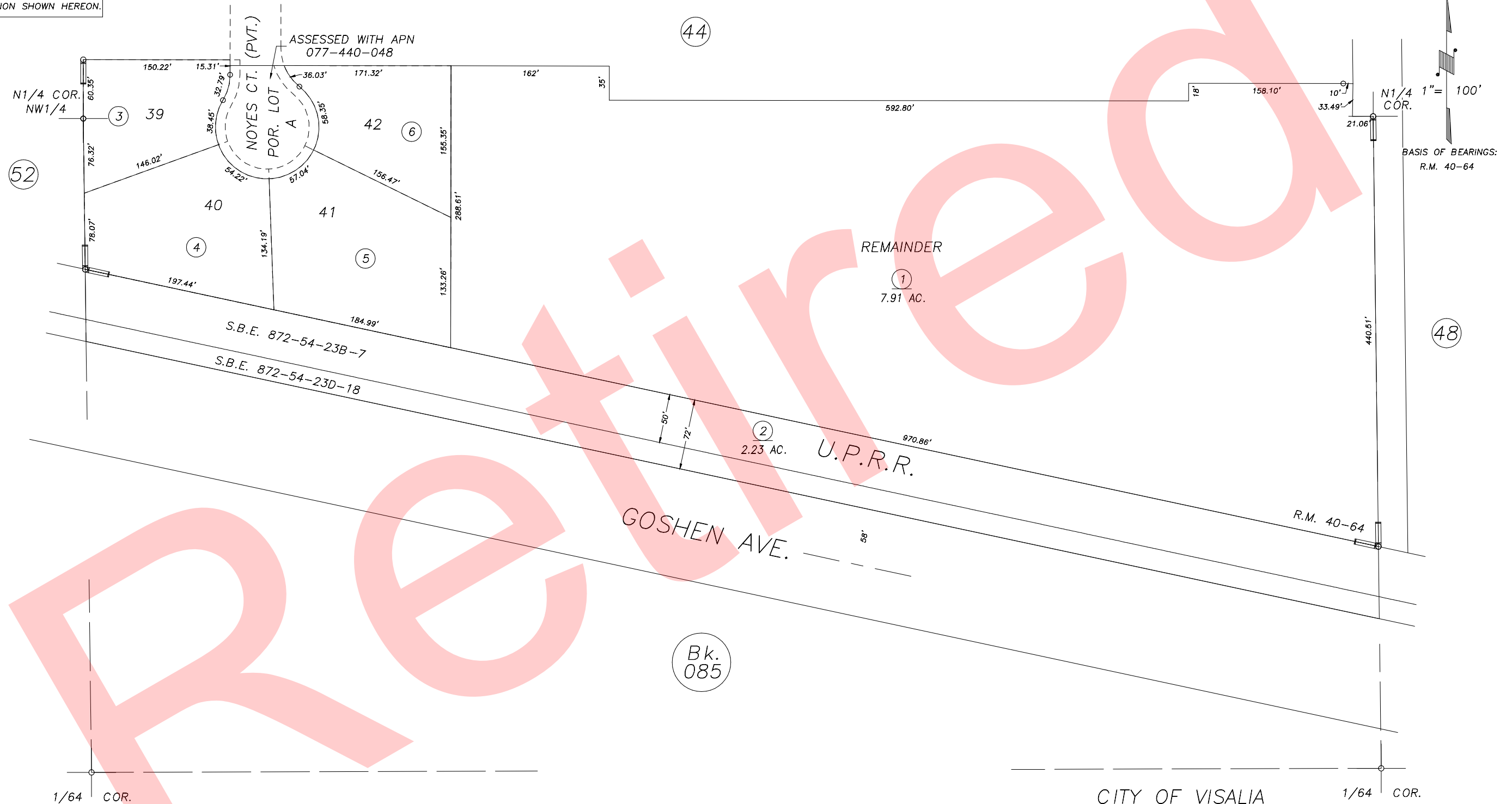
Tax Area Codes 077-47

006-123

006-215

DISCLAIMER

THIS MAP WAS PREPARED FOR LOCAL PROPERTY ASSESSMENT PURPOSES ONLY AND THE PARCELS SHOWN HEREON MAY NOT COMPLY WITH STATE AND LOCAL SUBDIVISION ORDINANCES, AND NO LIABILITY IS ASSUMED FOR THE USE OF THE INFORMATION SHOWN HEREON.



POR. COBBLESTONE ESTATES II UNIT NO. 2, R.M. 40-64

CITY OF VISALIA
ASSESSOR'S MAPS BK.077 , PG.47
COUNTY OF TULARE, CALIFORNIA, U.S.A.

NOTE: Assessor's Parcel Numbers Shown in Circles ① 123
Assessor's Block Numbers Shown in Elipses ④ 44

ADJ. PG. UPDATE	02/07/2012	JRS
REVISION	DATE	TECH