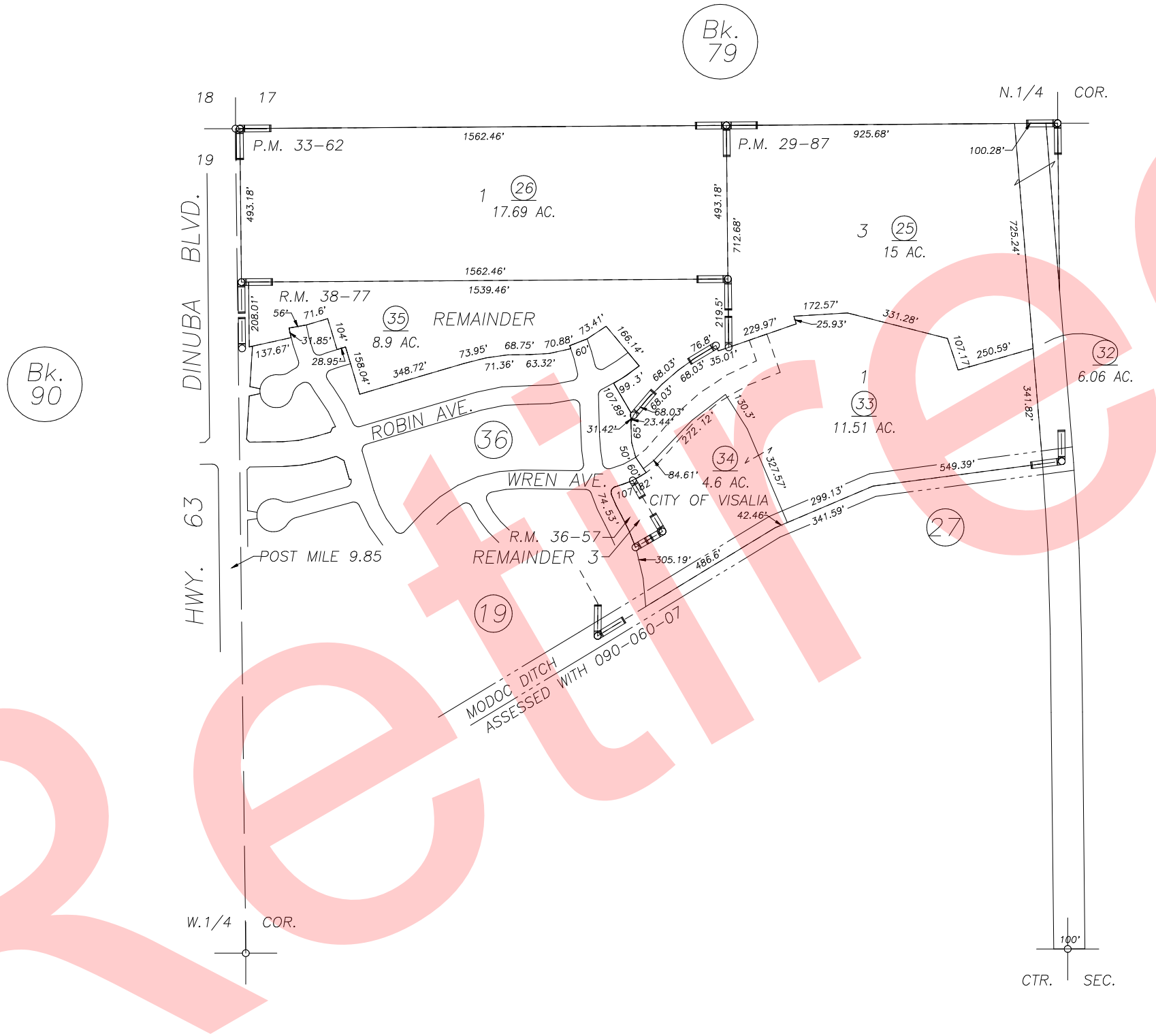


DISCLAIMER
 THIS MAP WAS PREPARED FOR LOCAL PROPERTY ASSESSMENT PURPOSES ONLY AND THE PARCELS SHOWN HEREON MAY NOT COMPLY WITH STATE AND LOCAL SUBDIVISION ORDINANCES, AND NO LIABILITY IS ASSUMED FOR THE USE OF THE INFORMATION SHOWN HEREON.

POR. NW 1/4 SECTION 20, T.18S., R.25E., M.D.B. & M.

Tax Area Code
 6-031

91-01



R.M. 38-77	8/17/2000	KPT	BY
REVISION	DATE		

PARCEL MAP 2886, P.M. 29-87
 PARCEL MAP 3260, P.M. 33-62
 POR. RIVERBEND VILLAGE UNIT NO. 1, R.M. 36-57
 POR. RIVERBEND VILLAGE UNIT 2, R.M. 38-77

CITY OF VISALIA
 ASSESSOR'S MAPS BK. 091, PG. 01.
 COUNTY OF TULARE, CALIF.

NOTE: Assessor's Block Numbers Shown in Ellipses
 Assessor's Parcel Numbers Shown in Circles

01/02