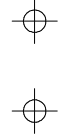


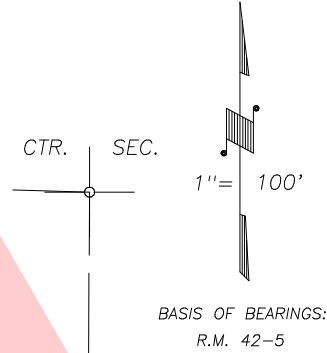
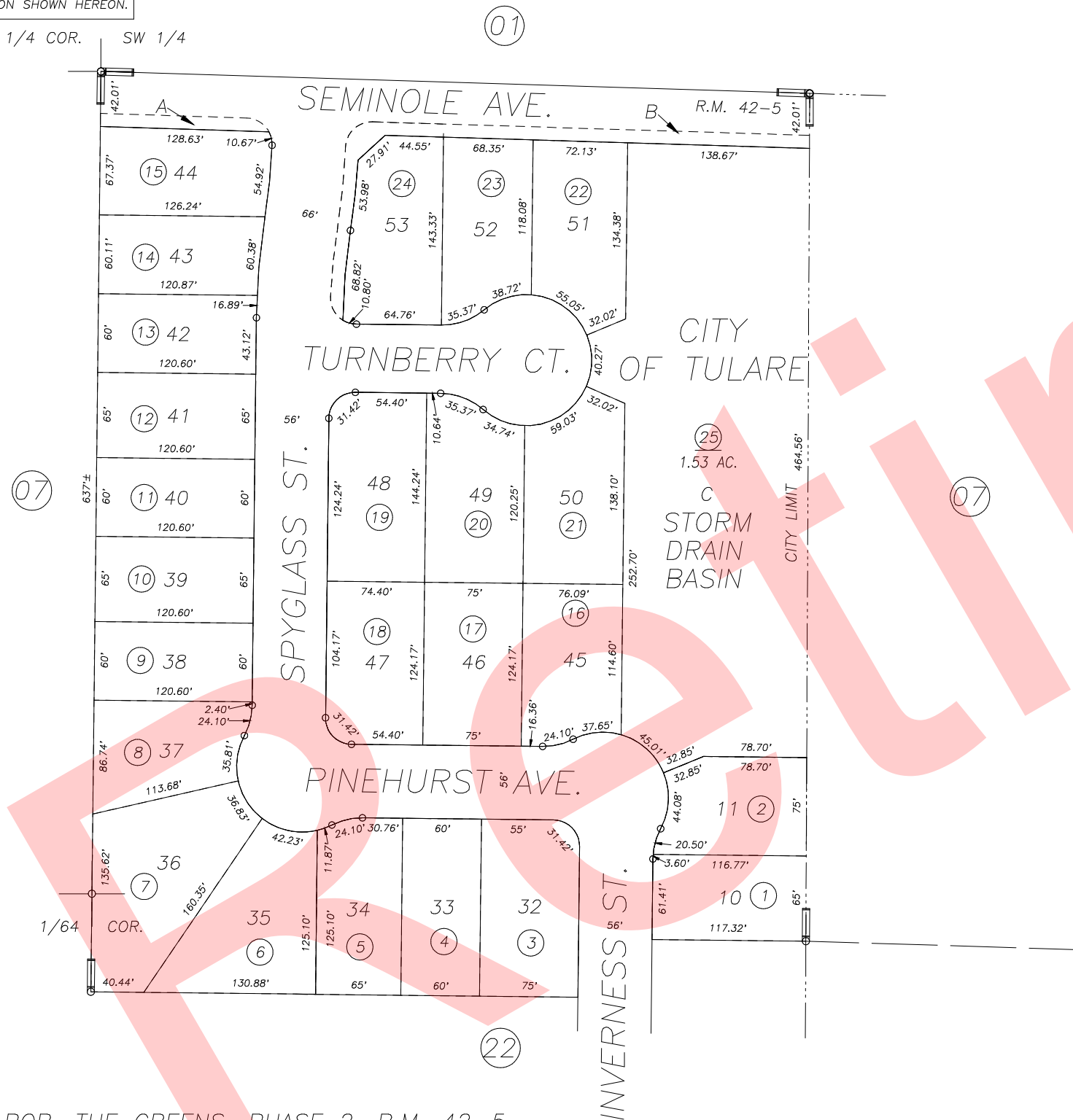
N1/2 OF NE1/4 OF SW1/4 SEC.6, T.20S., R.25E., M.D.B.&M.

Tax Area Codes 172-21
005-071

DISCLAIMER
THIS MAP WAS PREPARED FOR LOCAL PROPERTY ASSESSMENT PURPOSES ONLY AND THE PARCELS SHOWN HEREON MAY NOT COMPLY WITH STATE AND LOCAL SUBDIVISION ORDINANCES, AND NO LIABILITY IS ASSUMED FOR THE USE OF THE INFORMATION SHOWN HEREON.



N 1/4 COR. SW 1/4



POR. THE GREENS, PHASE 2, R.M. 42-5

CITY OF TULARE
ASSESSOR'S MAPS BK. 172 , PG. 21
COUNTY OF TULARE, CALIFORNIA, U.S.A.

NOTE: Assessor's Parcel Numbers Shown in Circles (1) (23)
Assessor's Block Numbers Shown in Elipses (1) (123)

T.R.A.C. CHANGE	07/31/2007	JRS
REVISION	DATE	TECH