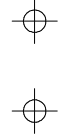


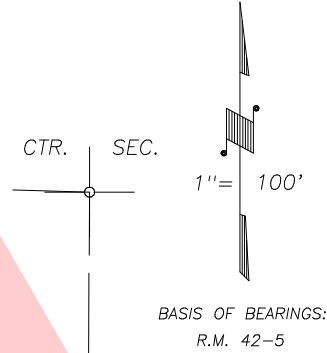
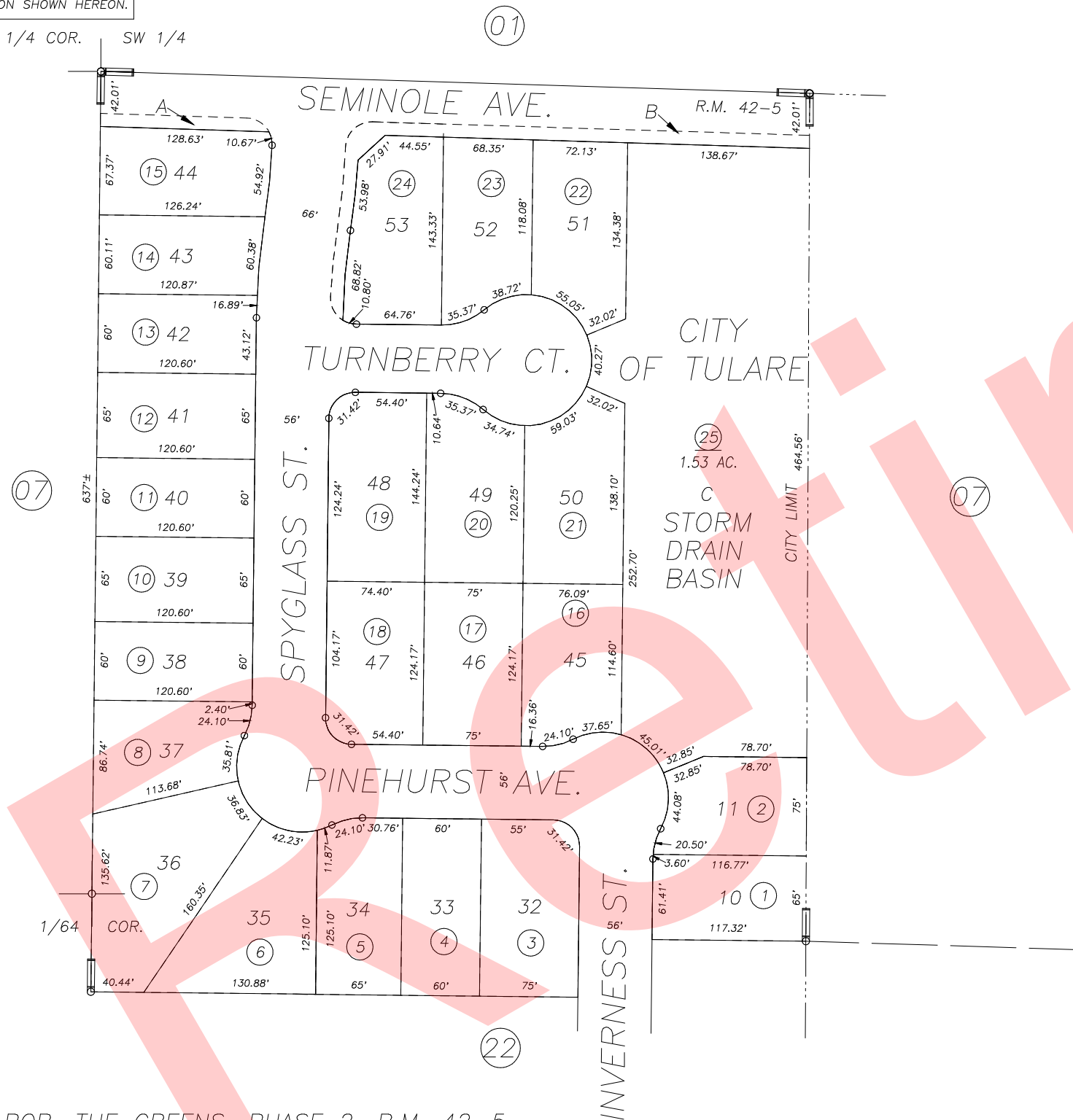
N1/2 OF NE1/4 OF SW1/4 SEC.6, T.20S., R.25E., M.D.B.&M.

Tax Area Codes 172-21
005-114

DISCLAIMER
THIS MAP WAS PREPARED FOR LOCAL PROPERTY ASSESSMENT PURPOSES ONLY AND THE PARCELS SHOWN HEREON MAY NOT COMPLY WITH STATE AND LOCAL SUBDIVISION ORDINANCES, AND NO LIABILITY IS ASSUMED FOR THE USE OF THE INFORMATION SHOWN HEREON.



N 1/4 COR. SW 1/4



POR. THE GREENS, PHASE 2, R.M. 42-5

CITY OF TULARE
ASSESSOR'S MAPS BK. 172 , PG. 21
COUNTY OF TULARE, CALIFORNIA, U.S.A.

NOTE: Assessor's Parcel Numbers Shown in Circles (1) (123)
Assessor's Block Numbers Shown in Elipses

2006-0089959	05/30/2008	CBT
REVISION	DATE	TECH